

# PRODUCT SPECIFICATION - LABEL HOLDER

**Function** Artwork label, fixed to wall, or used with our barriers

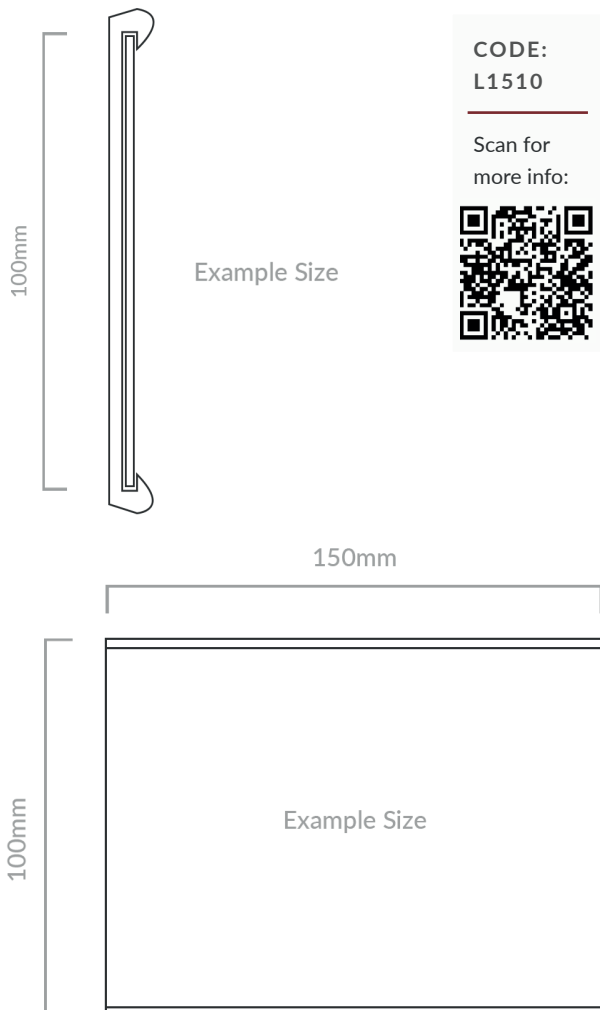
**Dimensions** 100x50mm (Landscape)  
 100x100mm (square)  
 150x100mm (landscape or portrait)  
 150x150mm (square)  
 A5 210x150mm (landscape or portrait)  
 A4 298x210mm (landscape or portrait\*)  
 A3 420x298mm (landscape)\*  
 US letter 8.5x11in (portrait)\*  
 US 14x11in (landscape)\*  
 US 17x11in (landscape)\*

\*Note: The back plate is thicker for these sizes.

**Material** Aluminium back plate, acrylic front cover (standard or low reflect options available)

**Finish** ●

**Customise** Available in bespoke lengths and RAL colours



**CODE:**  
**L1510**

---

Scan for  
 more info:

